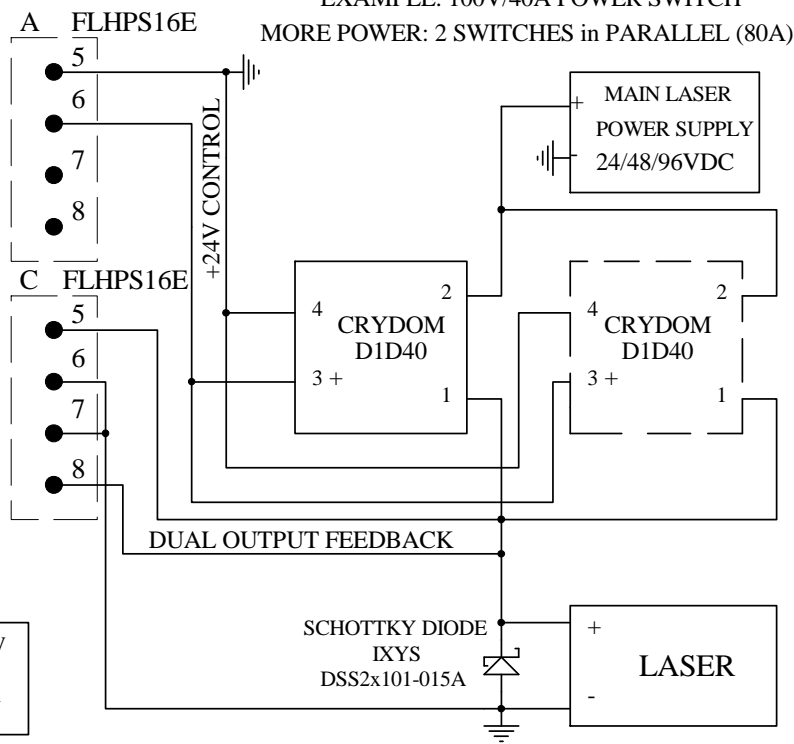


Equivalent relays
SIEMENS
3RH2131-BB40
and
3RT2916-1DG00

Final/FLHPSE_CON.sch

EXAMPLE: 100V/40A POWER SWITCH
MORE POWER: 2 SWITCHES in PARALLEL (80A)



POWER SWITCHES: www.crydom.com

IMPORTANT NOTE:
Interconnect (GND) -24V aux. supply to (GND) of -24V main supply!

NOTE:
D6 can be used as shutter function
D6 = GND will open power switch

Title FLSCU16 / FLHPS16E CONNECTIONS		
Size A4	Number EXTERNAL SWITCH	Revision 20.11.16 KHW
Date: 22-Feb-2018	Sheet of	
File: C:\Program Files\Design Explorer 99 SE\FINAL\FINAL.ddb	Sheet of	